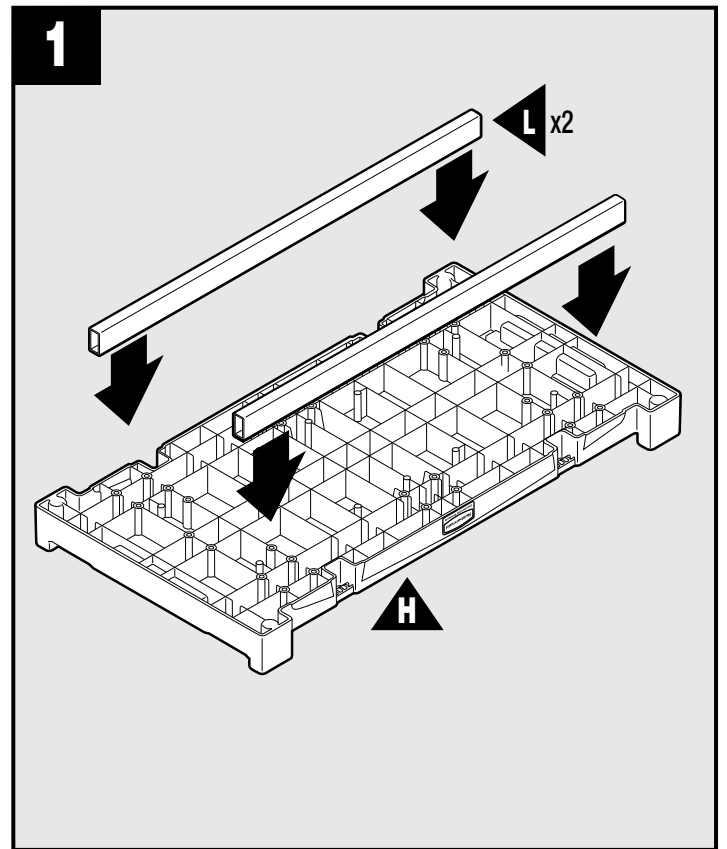
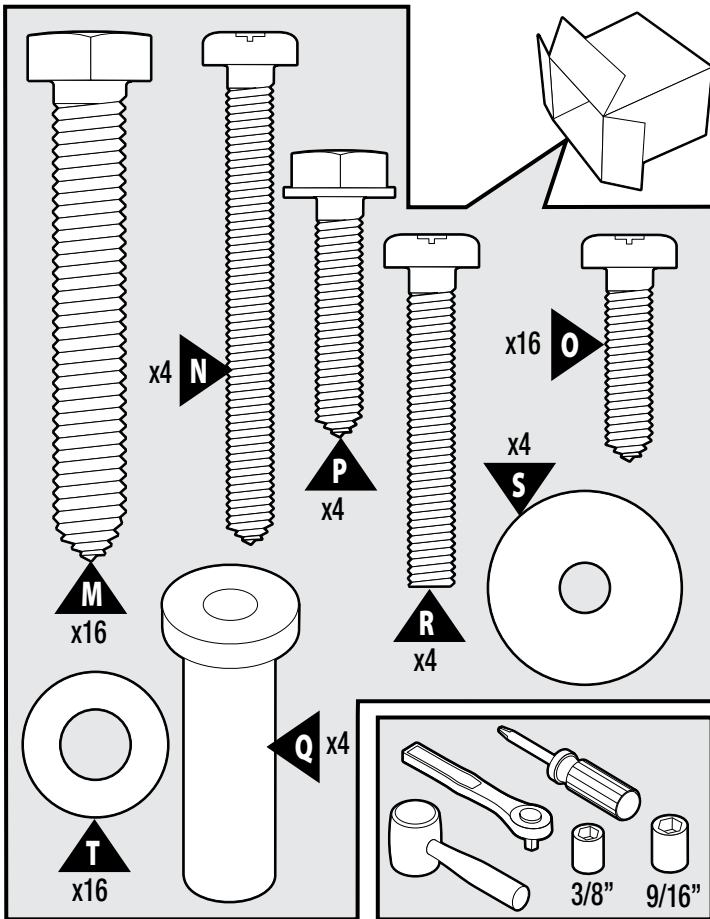
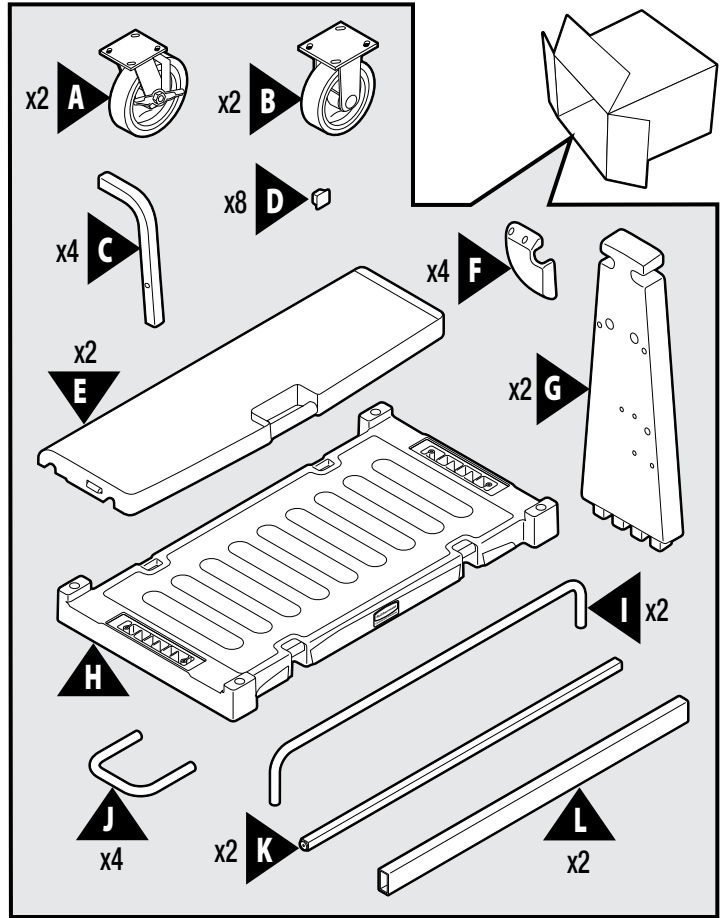
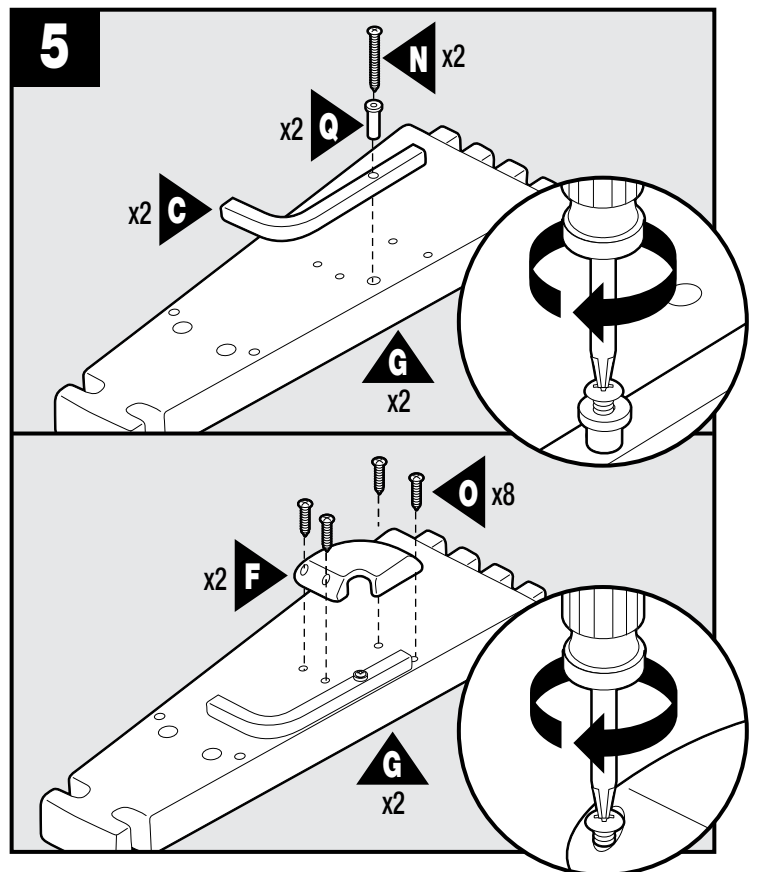
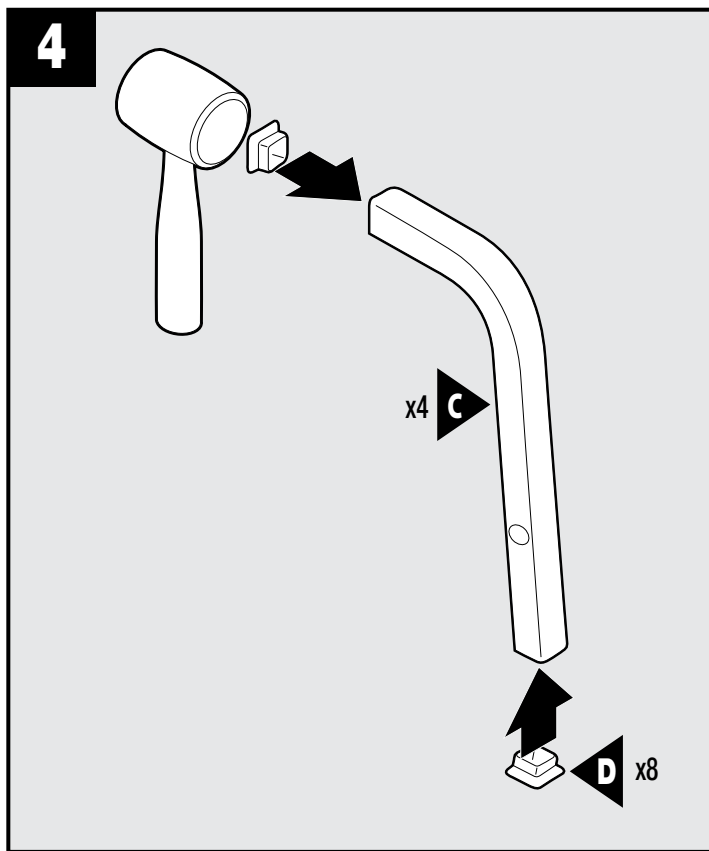
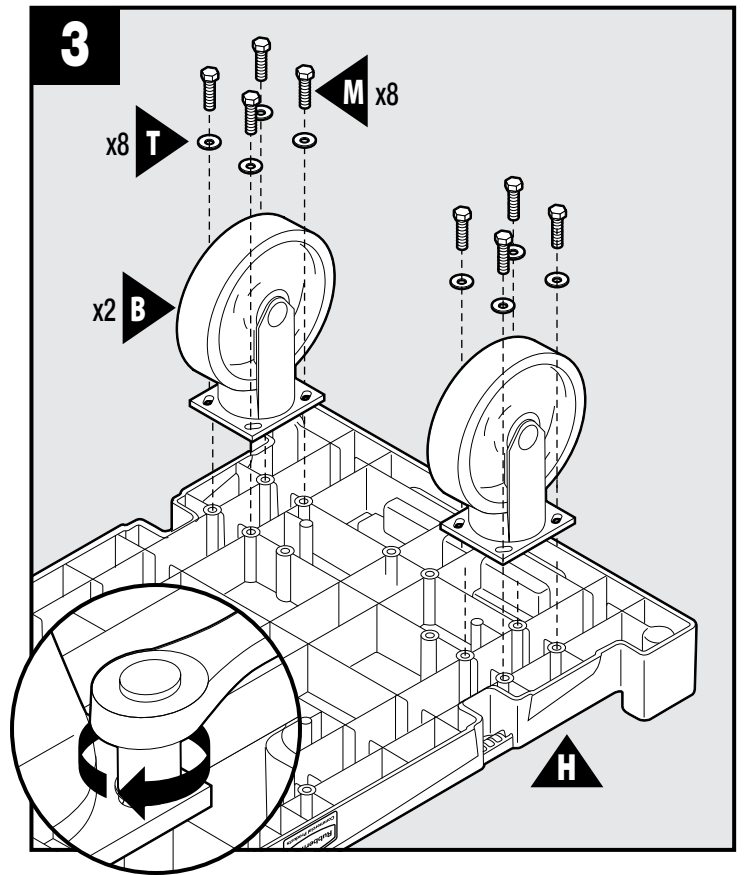
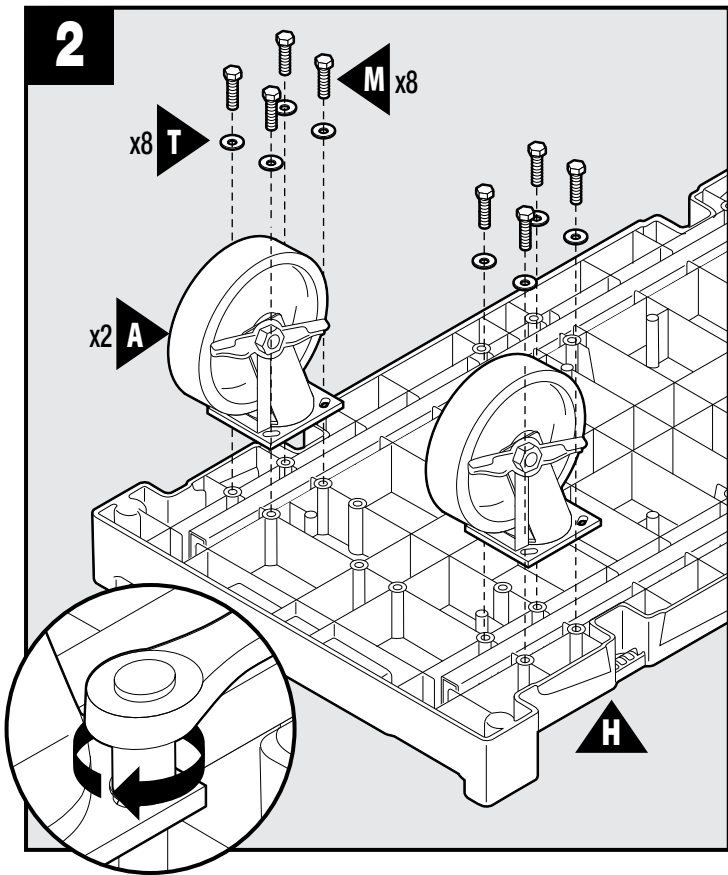
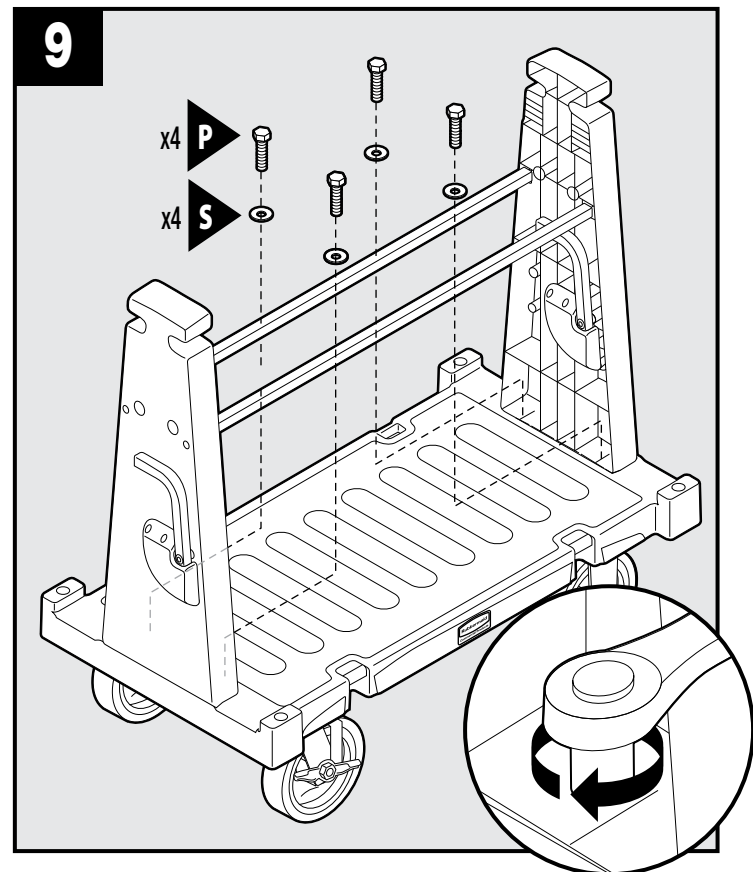
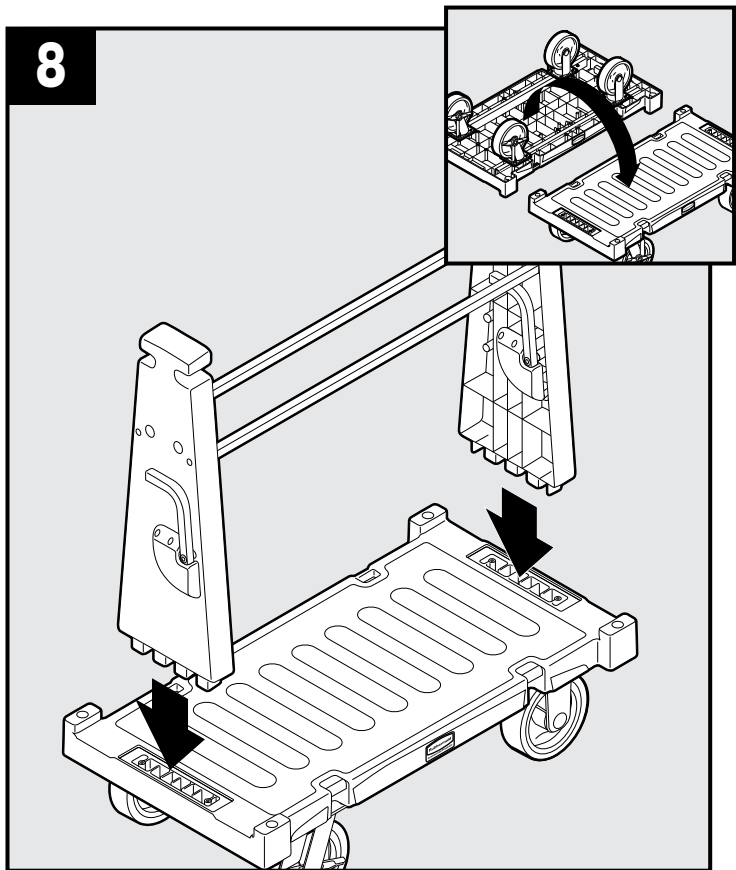
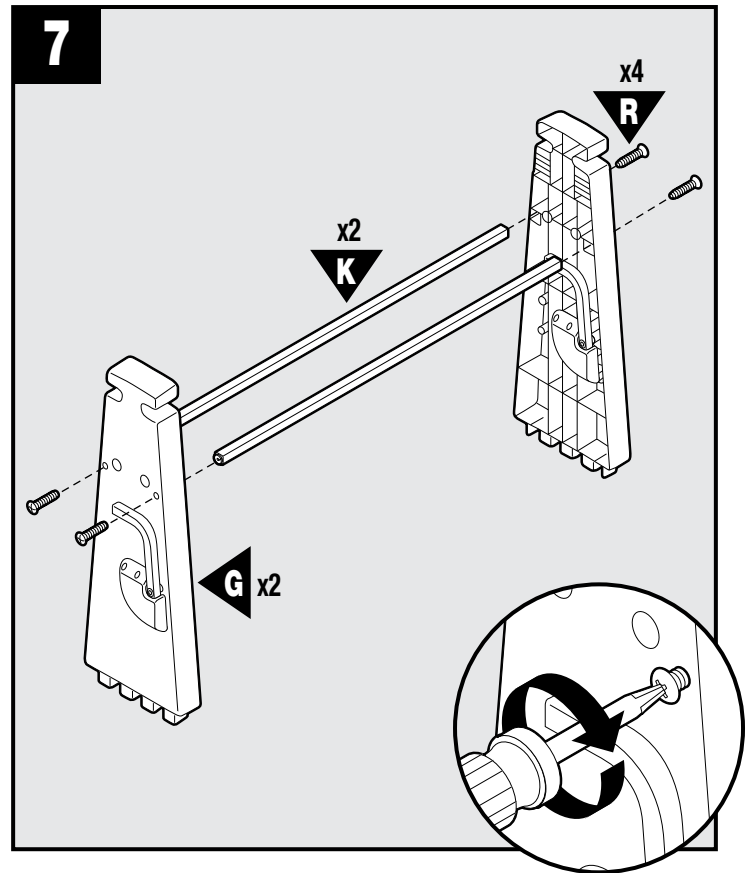
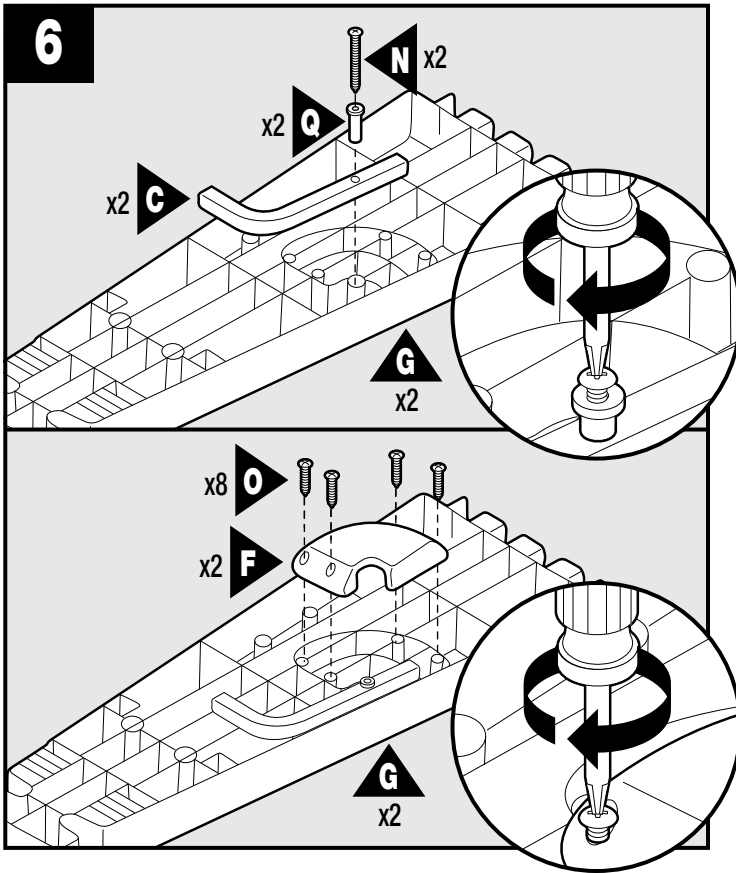
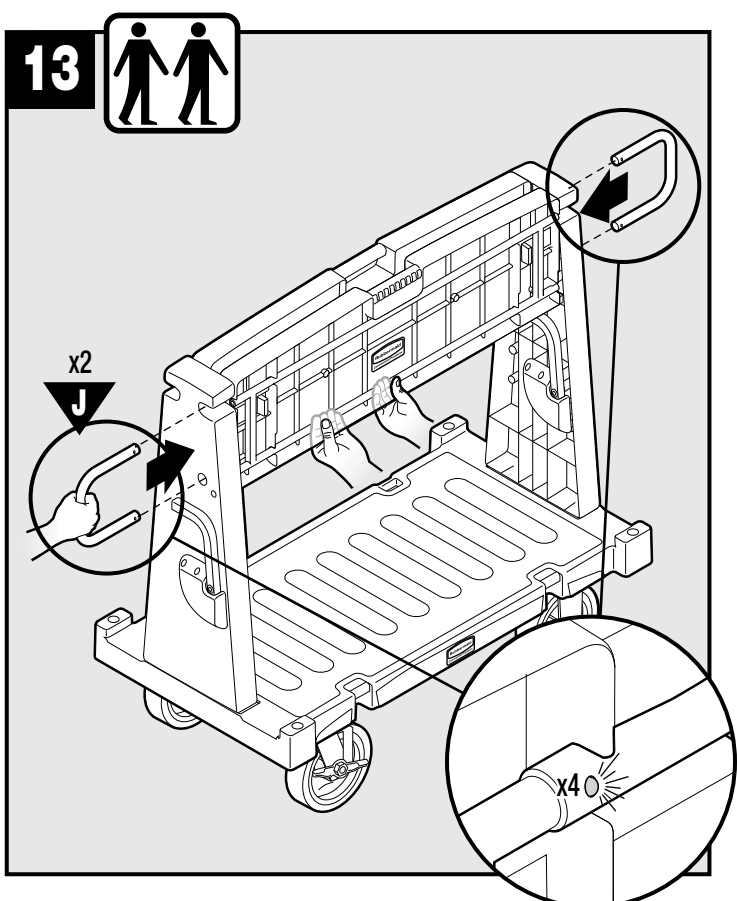
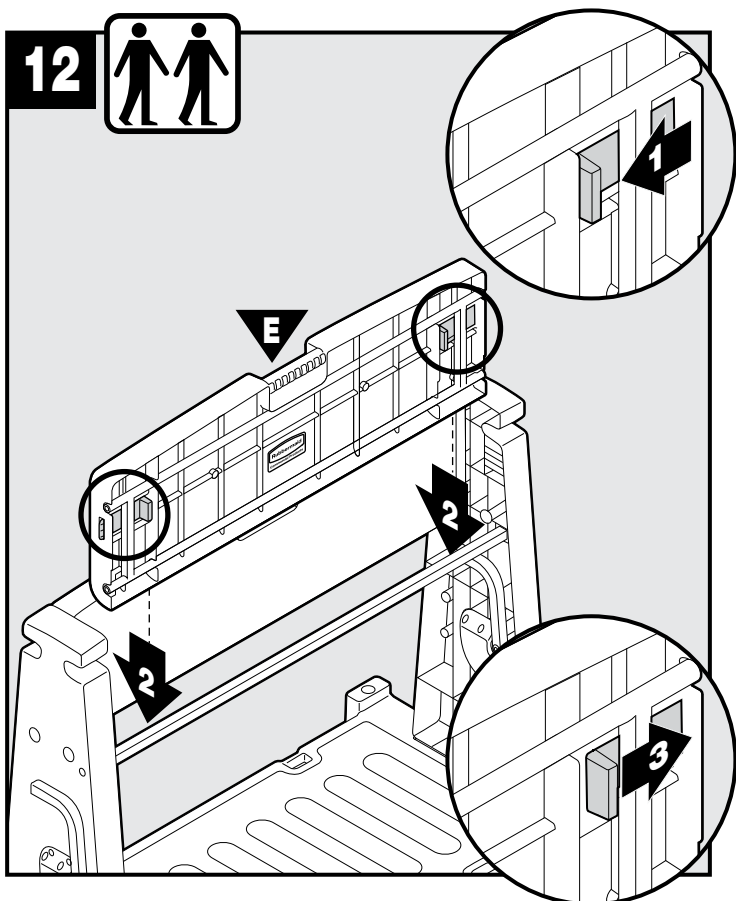
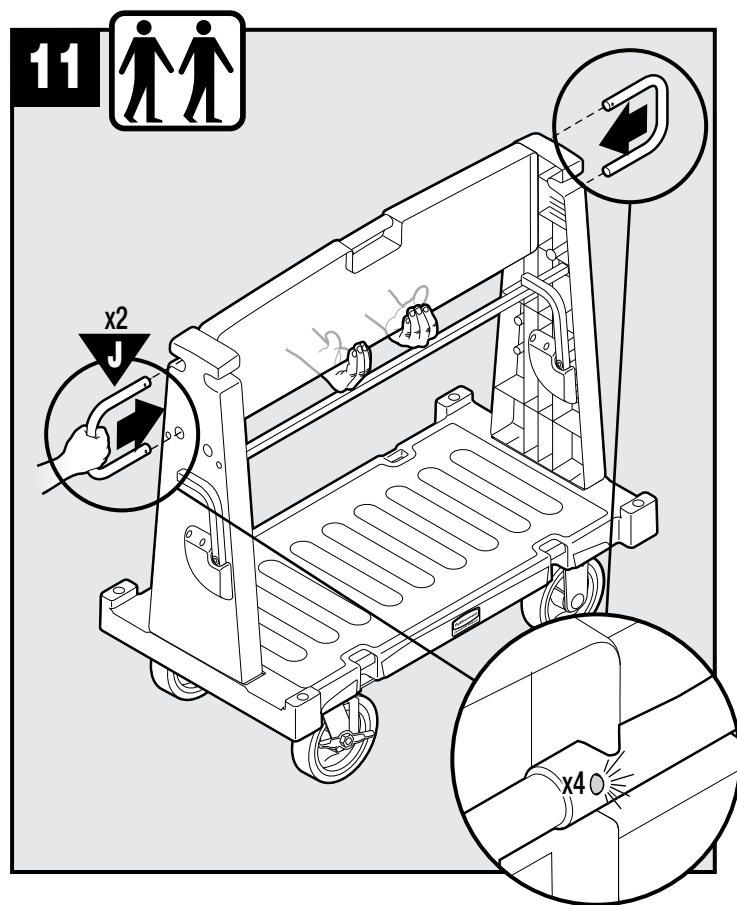
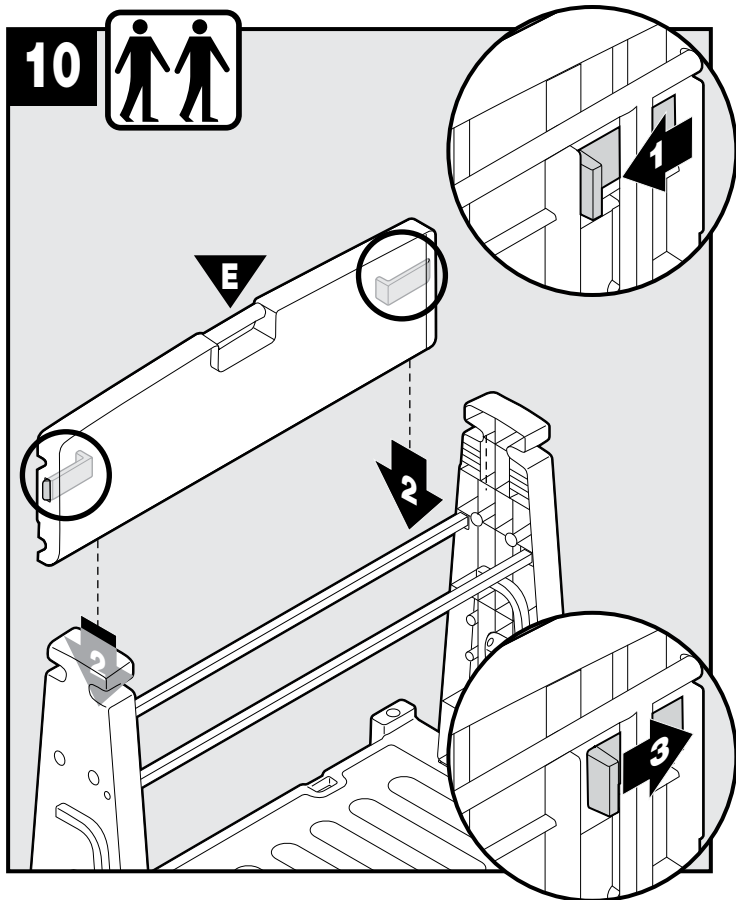


4465

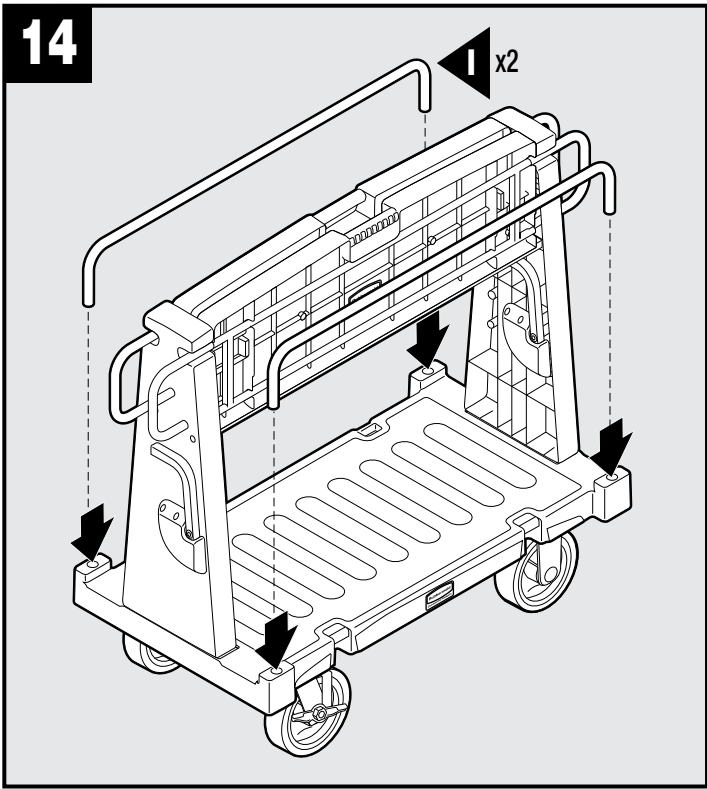








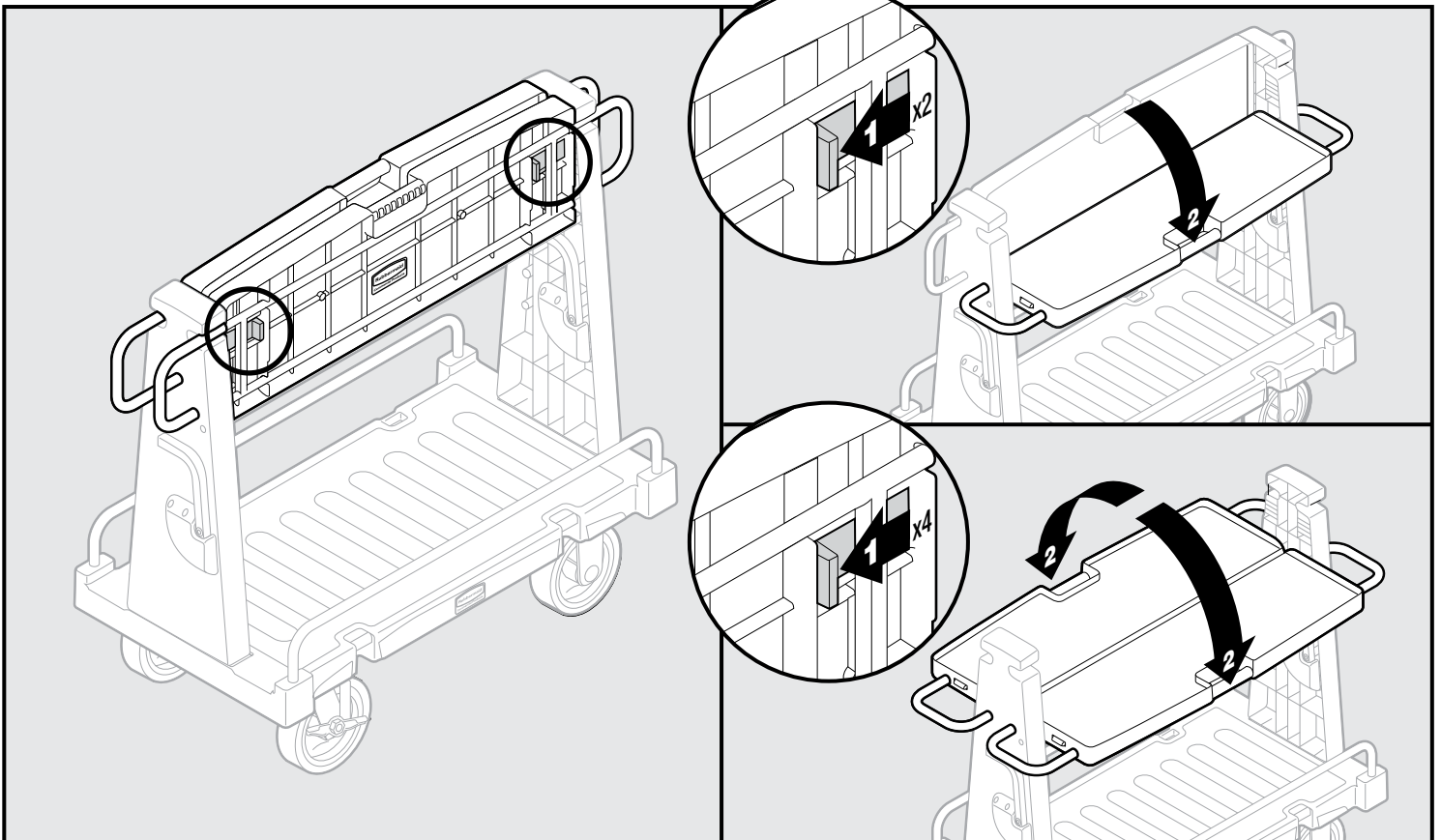
14

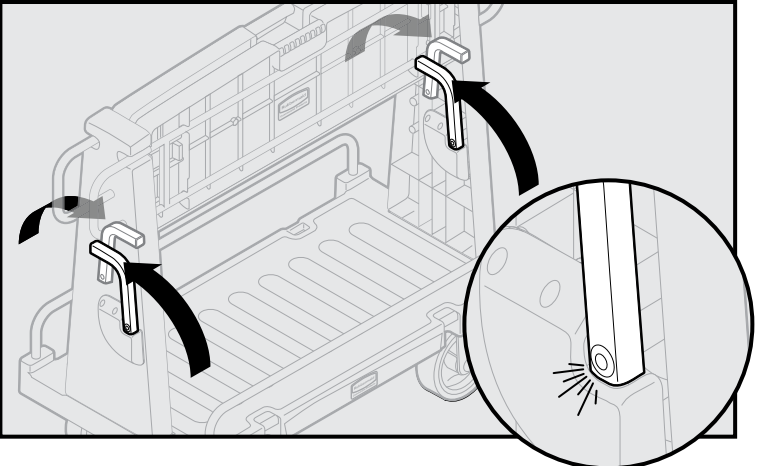
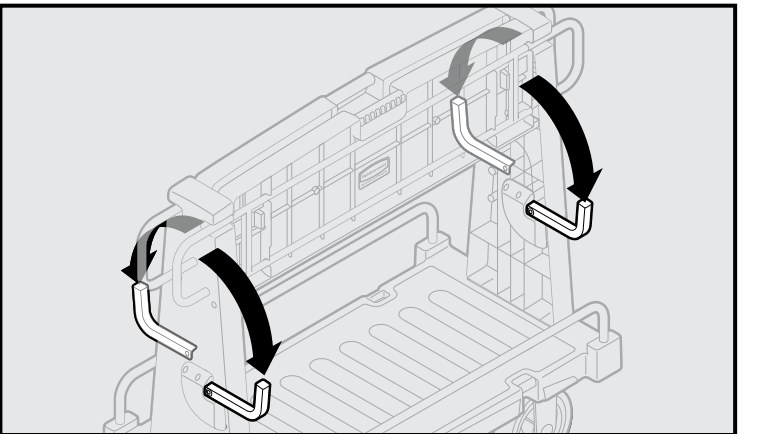
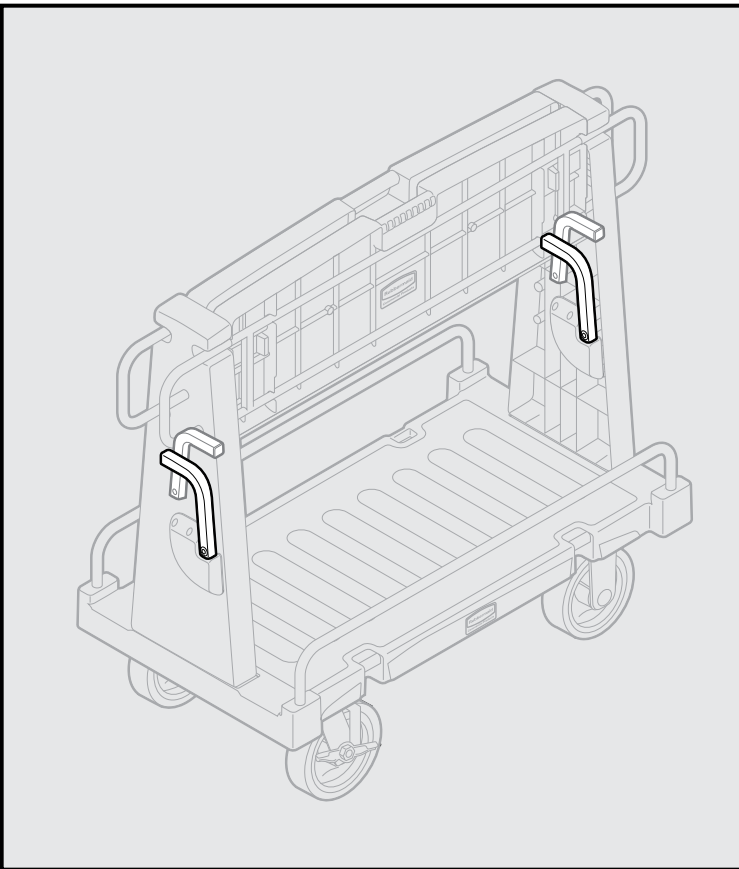
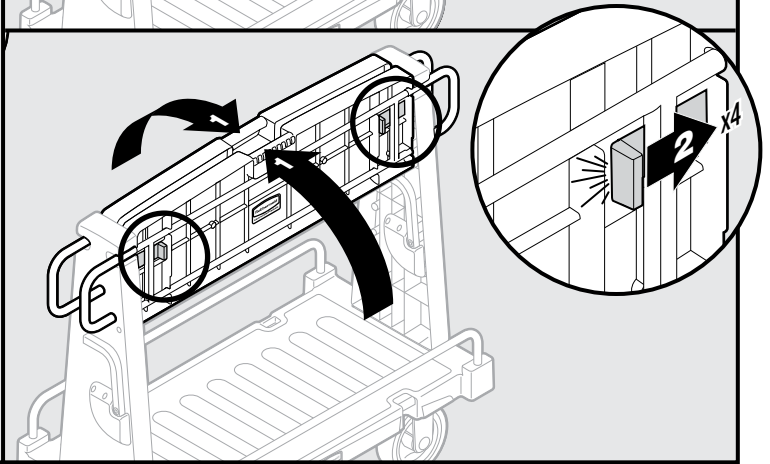
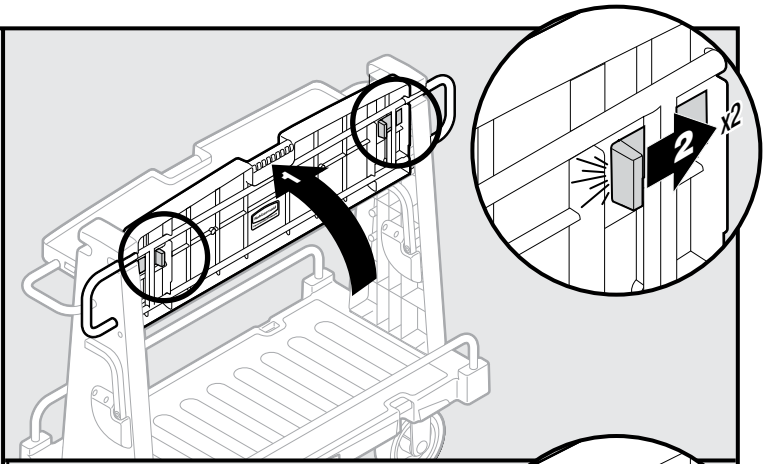
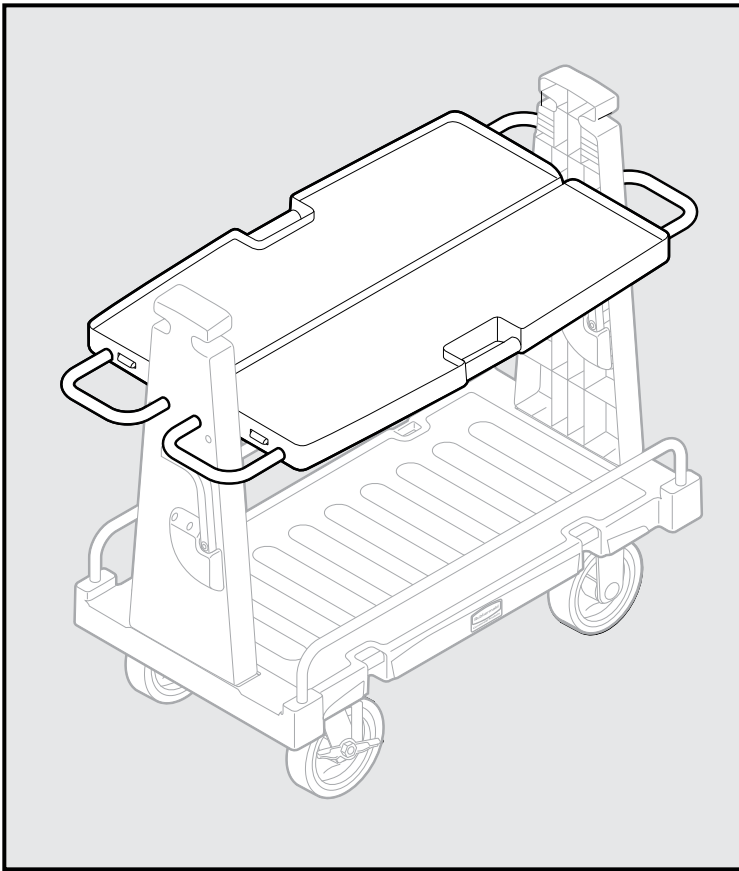


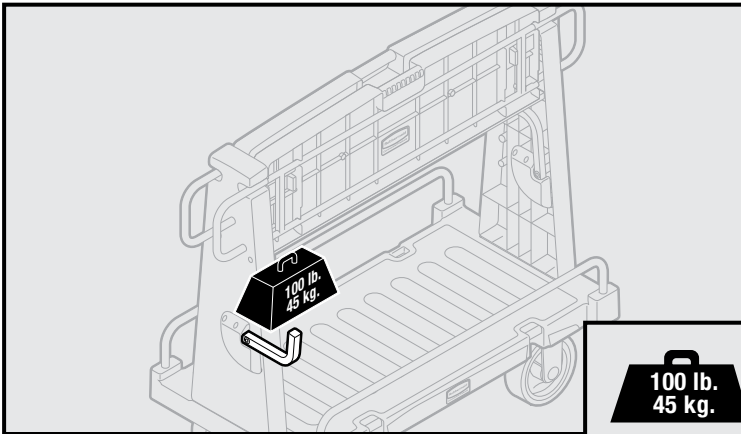
**Usage Instructions/Instructions d'utilisation/Instrucciones del uso/**

Verwendungs-Anweisungen/Istruzioni di uso/用量指令/使用法命令 /

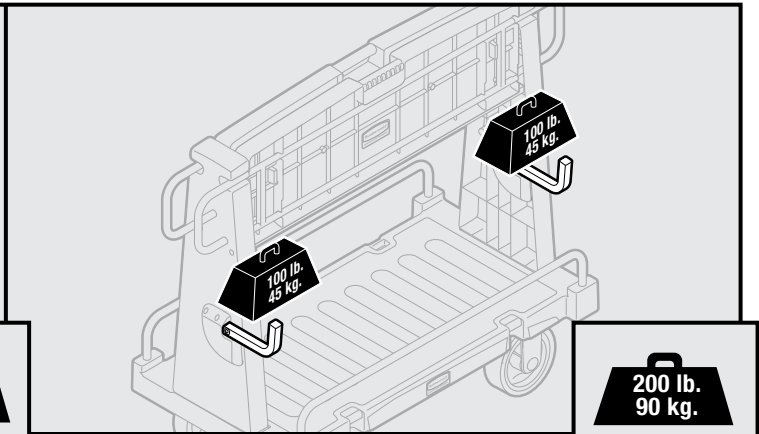
De Instructies van het gebruik



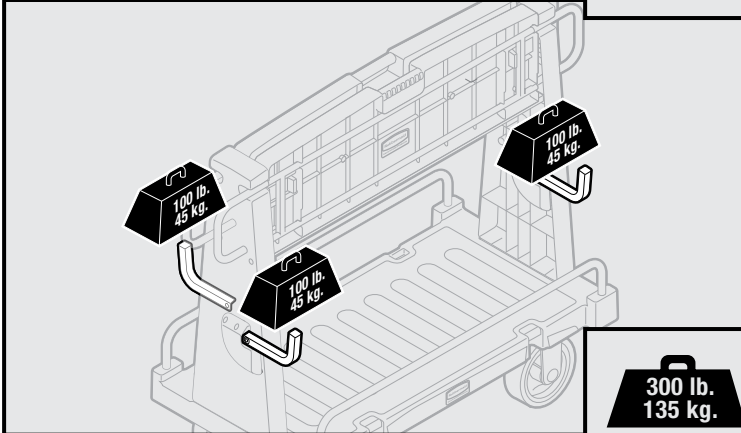




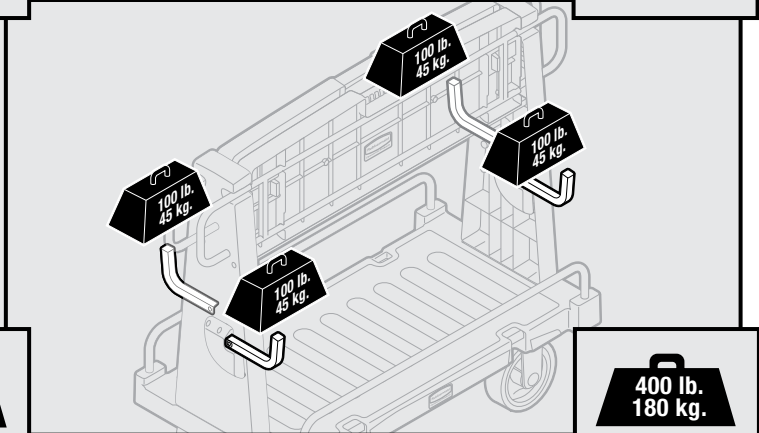
100 lb.  
45 kg.



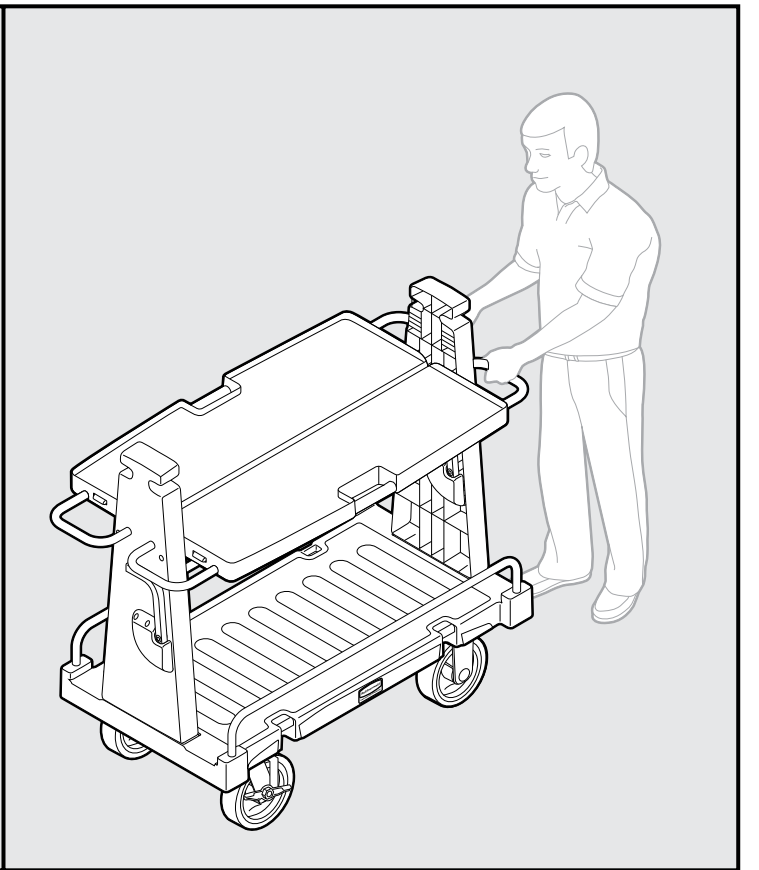
200 lb.  
90 kg.

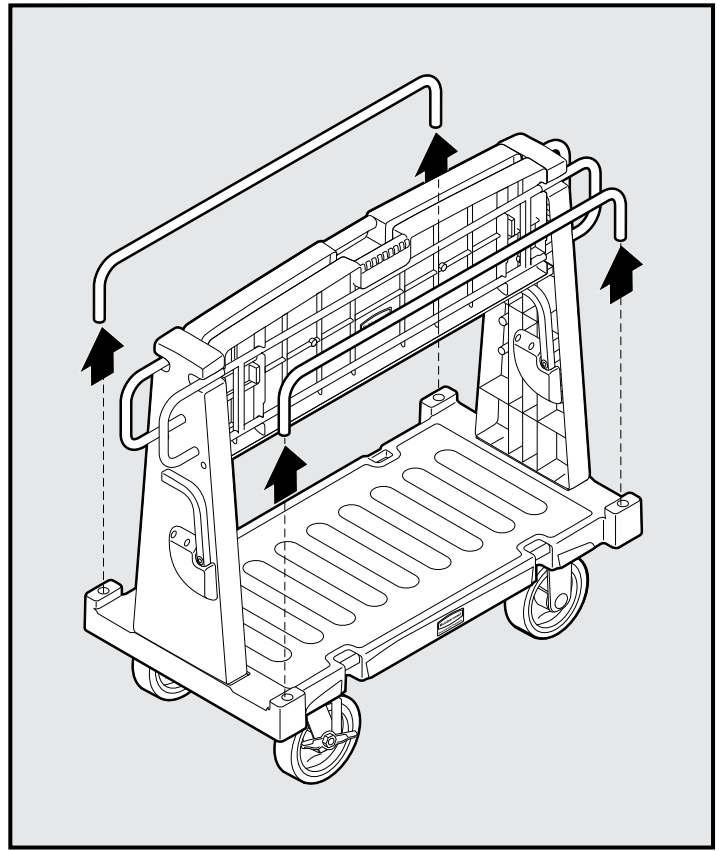
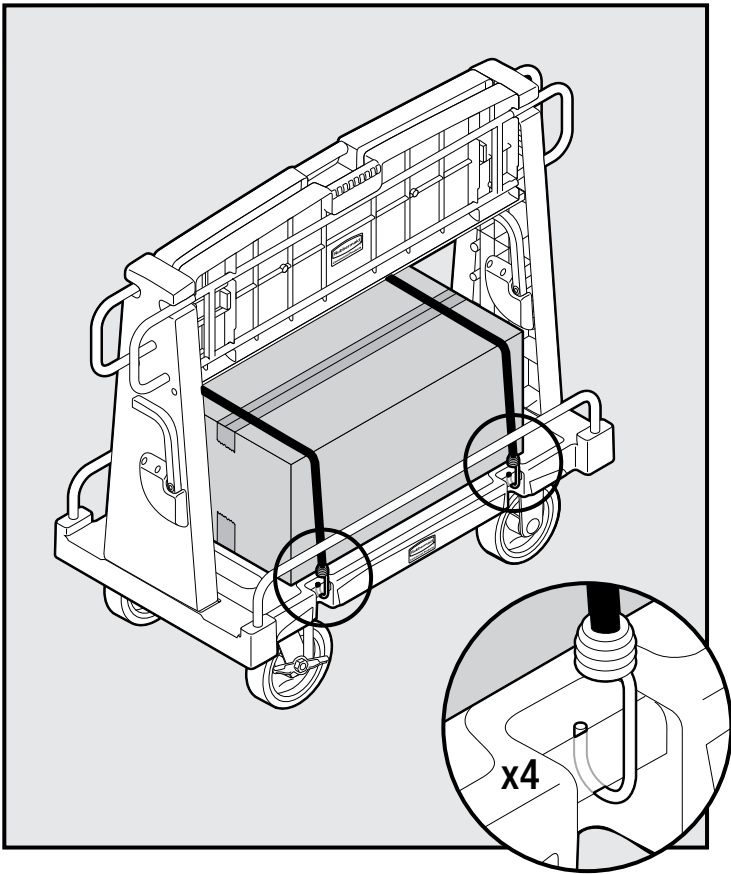


300 lb.  
135 kg.



400 lb.  
180 kg.





Products manufactured under quality management system registered to ISO 9001:2000  
©2009 Rubbermaid Commercial Products LLC  
Printed in U.S.A.  
Product # 4465



Rubbermaid Commercial Products LLC  
3124 Valley Avenue  
Winchester, VA 22601 U.S.A.  
Phone: 540-667-8700  
Fax: 540-542-8770  
[www.rubbermaidcommercial.com](http://www.rubbermaidcommercial.com) #3485423