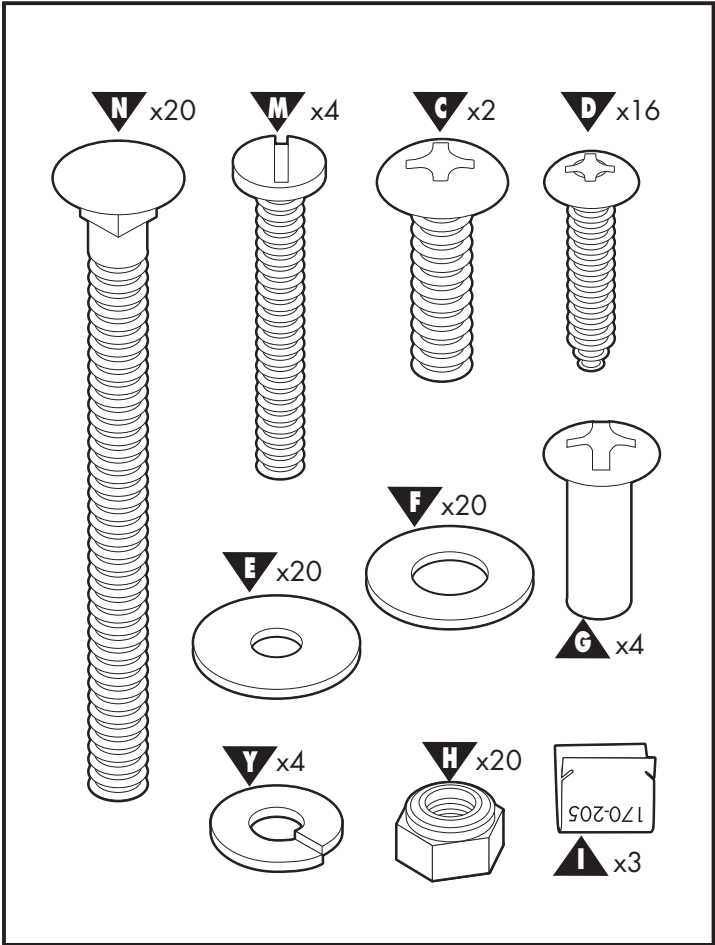
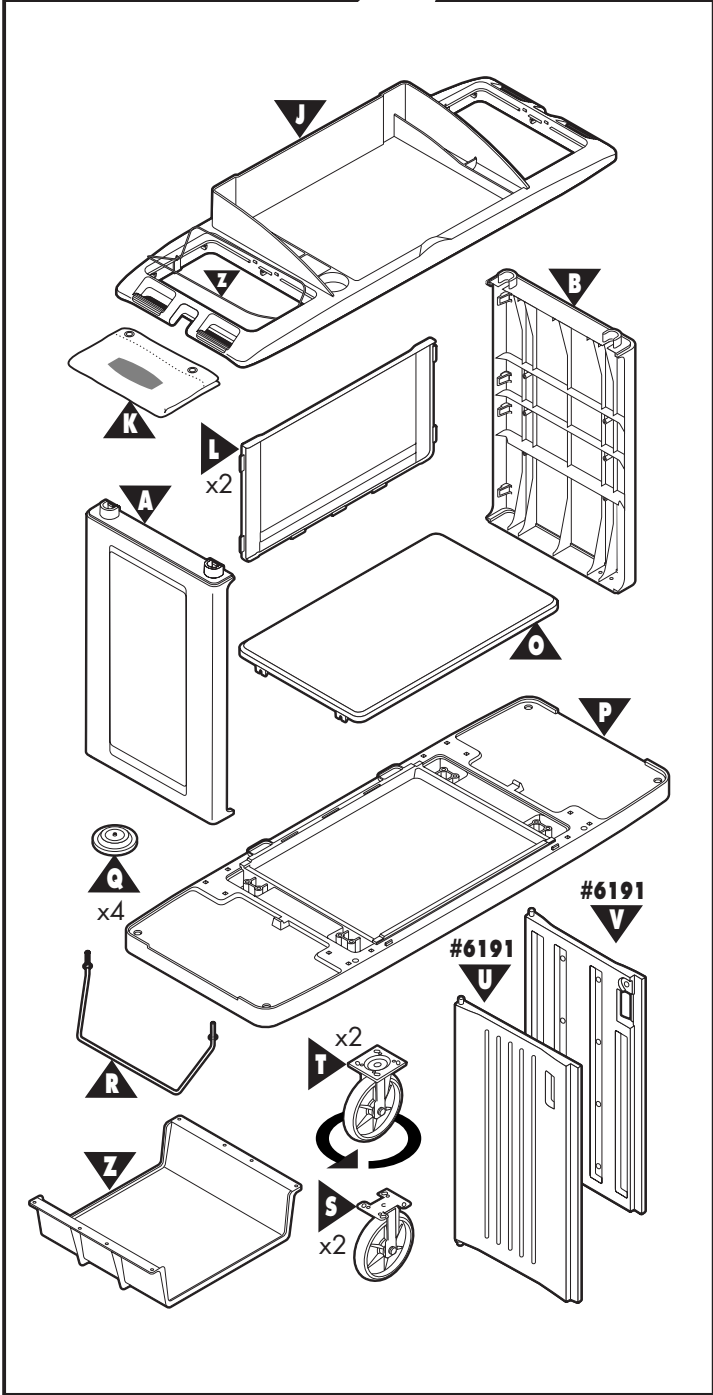
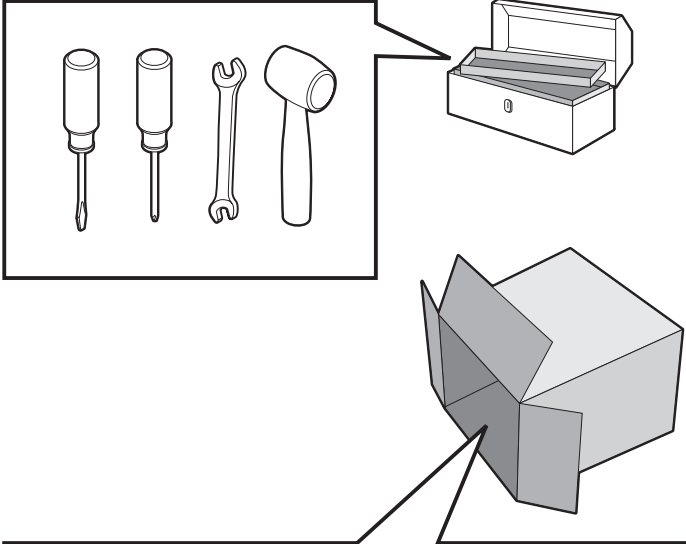
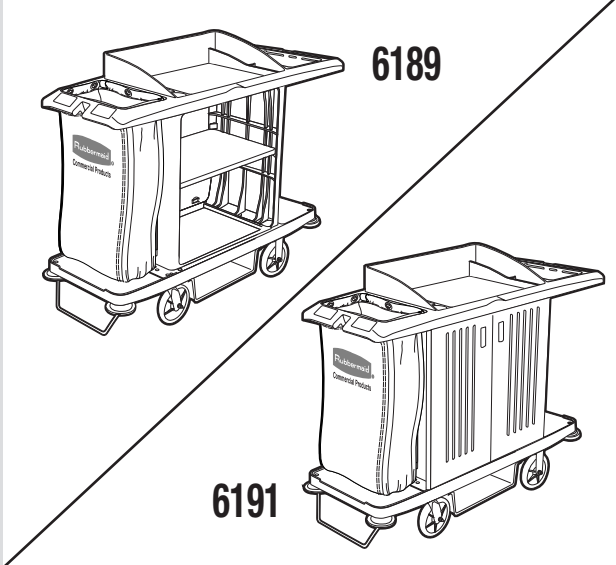
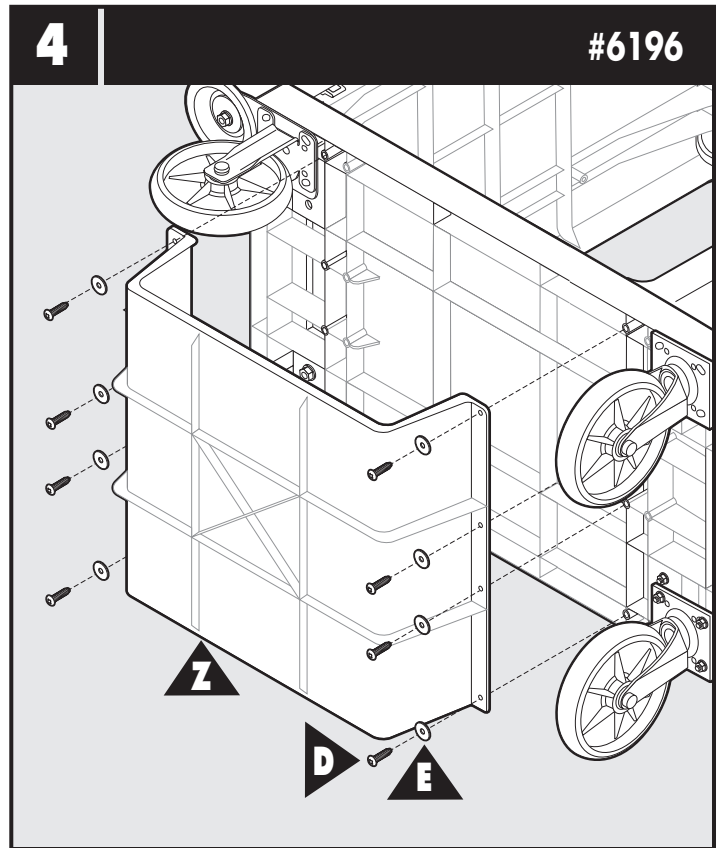
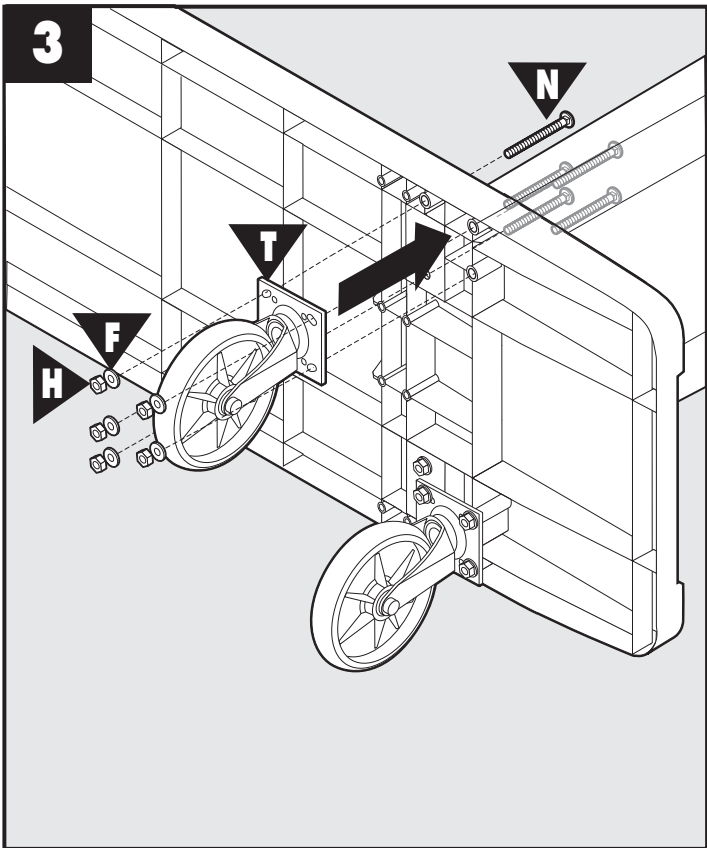
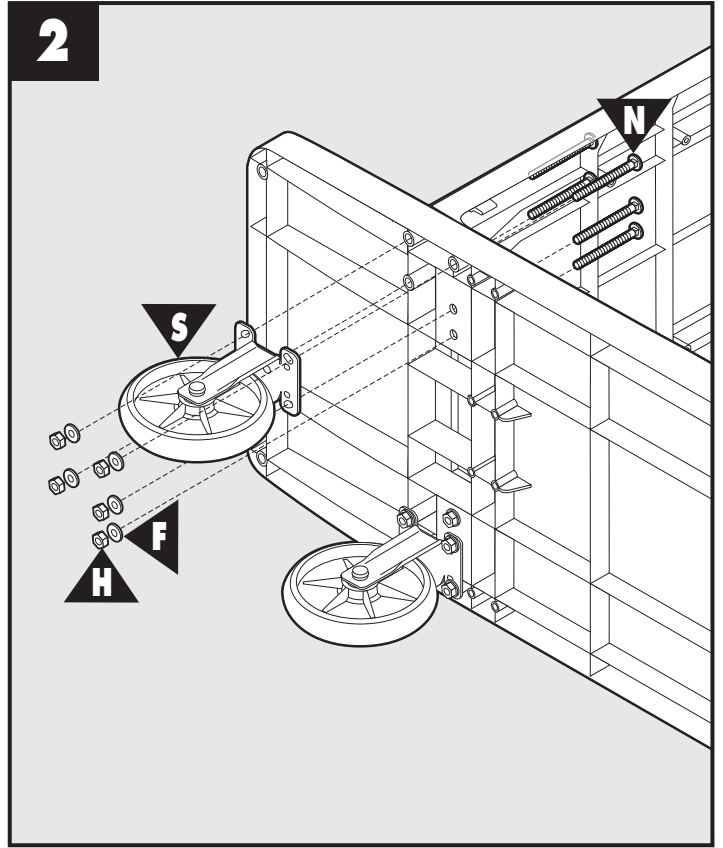
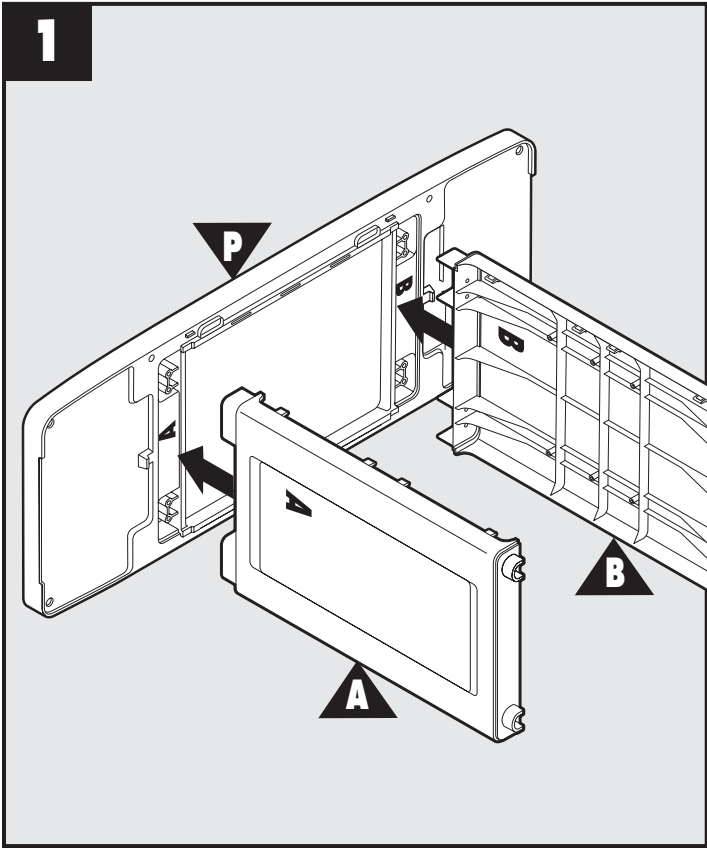
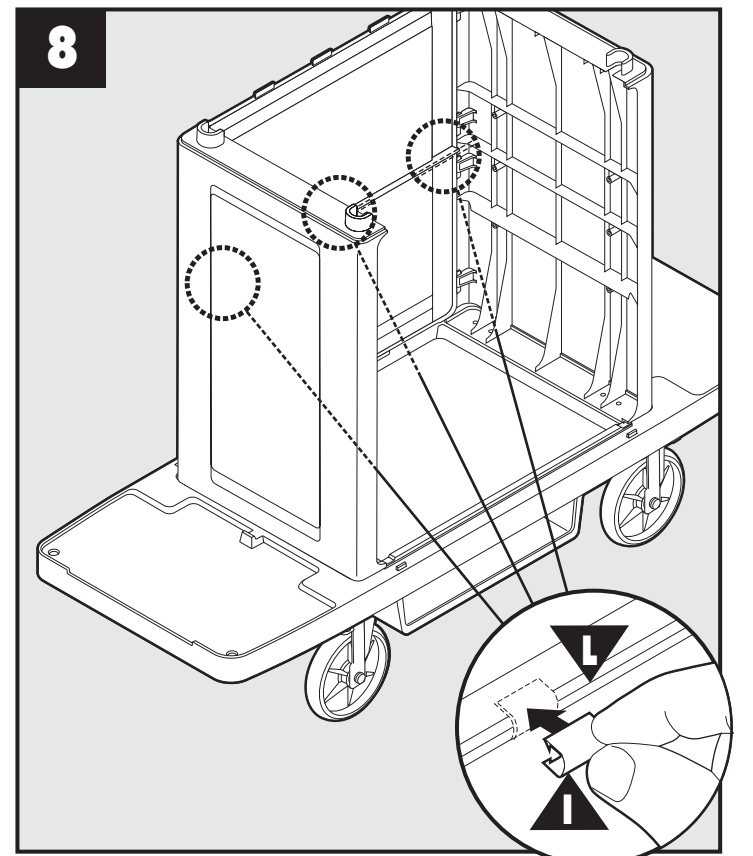
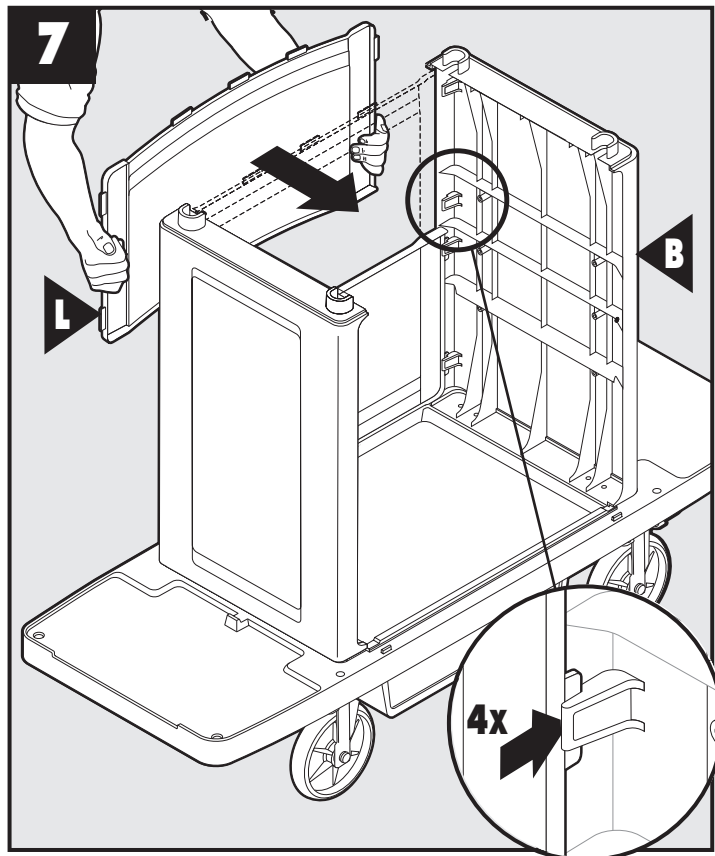
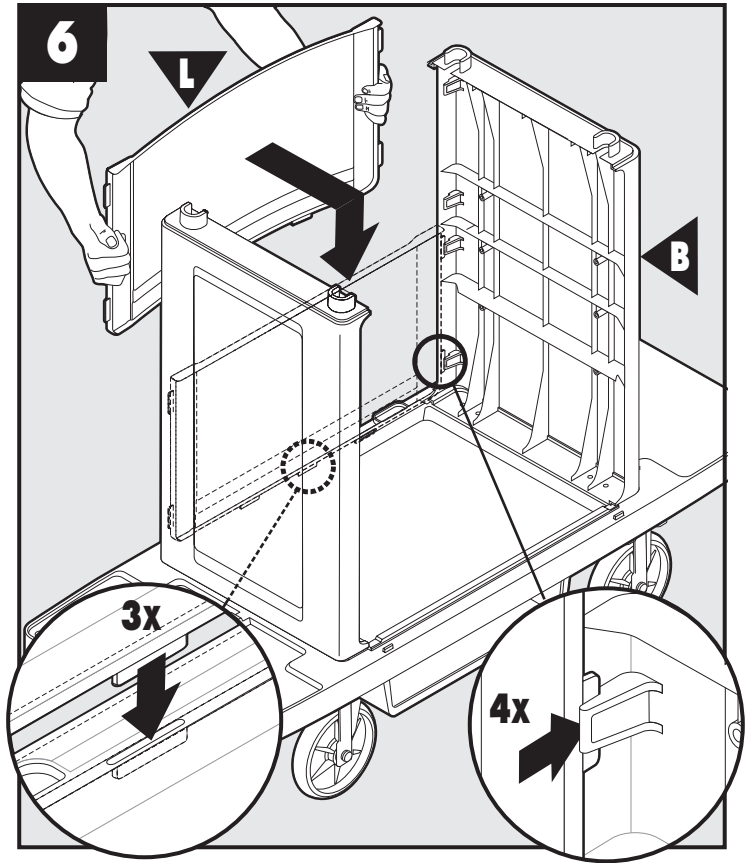
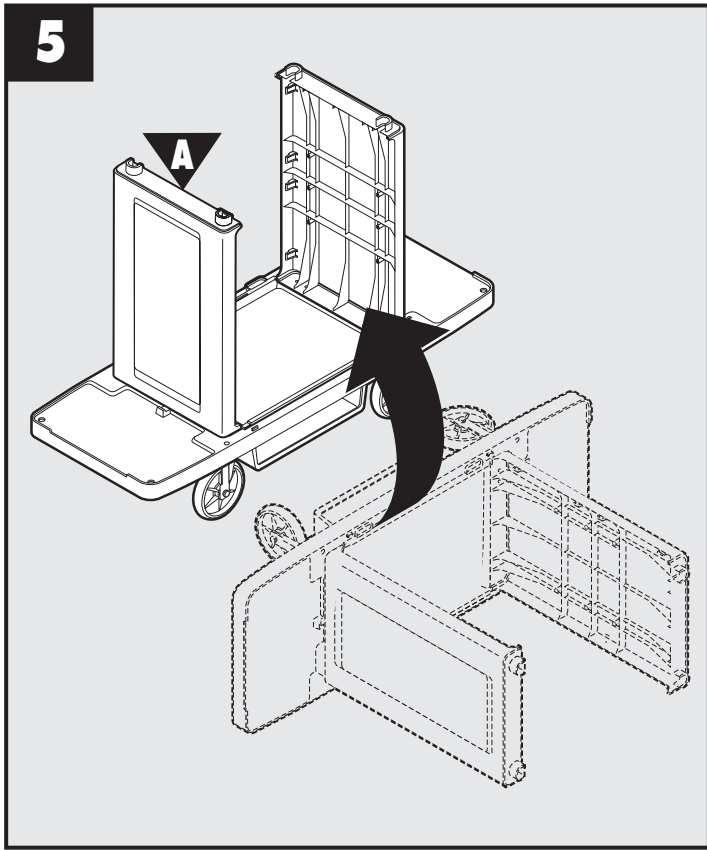


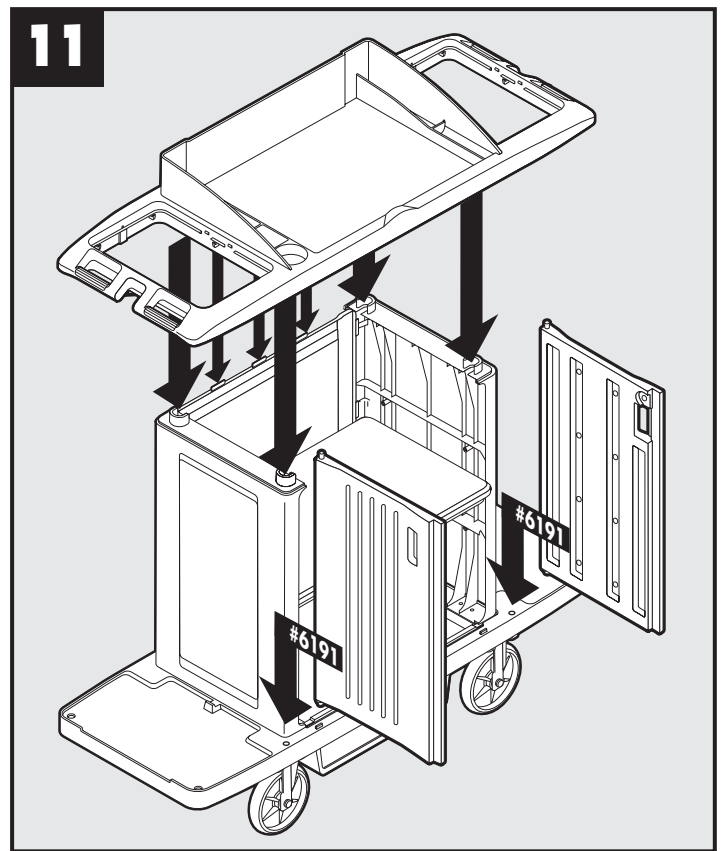
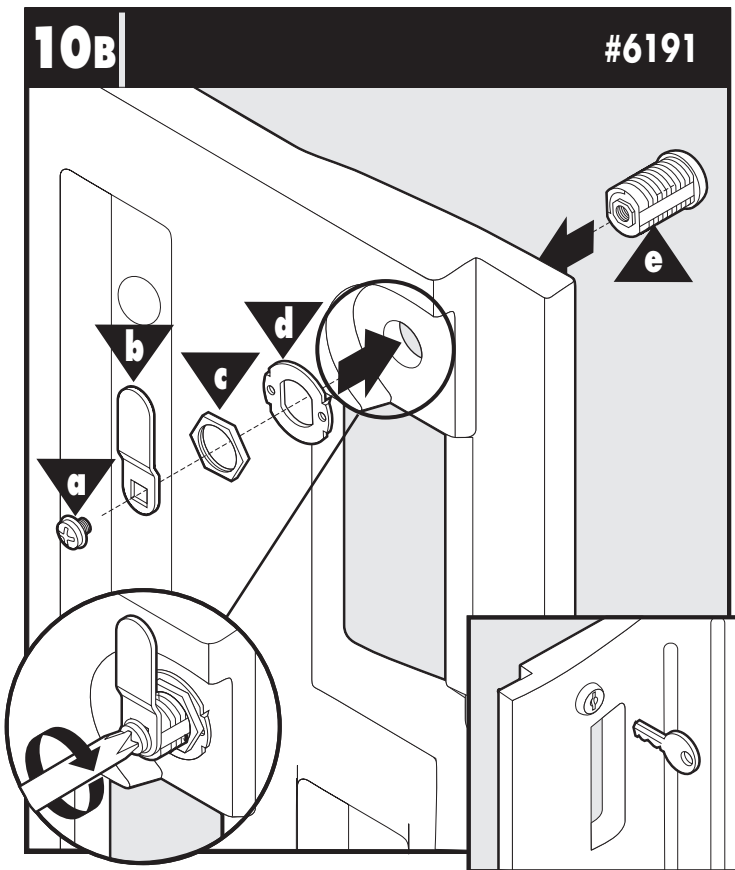
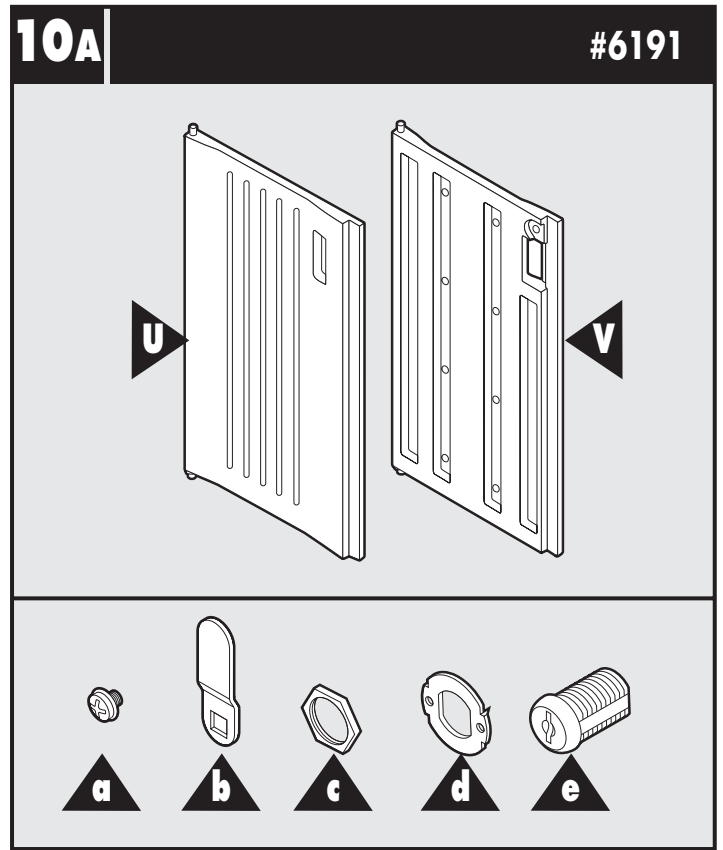
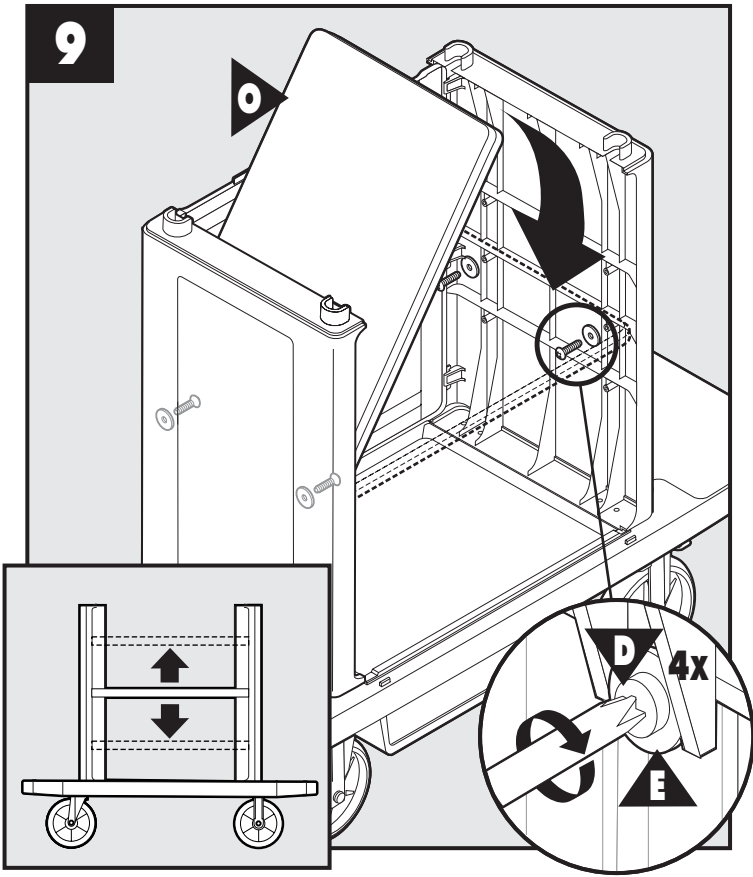
Rubbermaid®

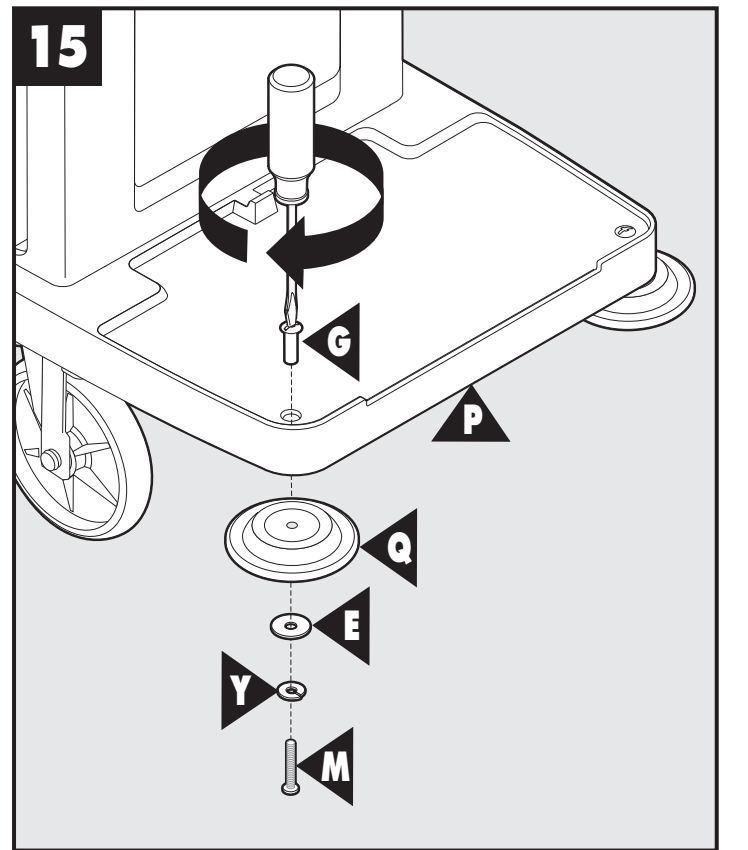
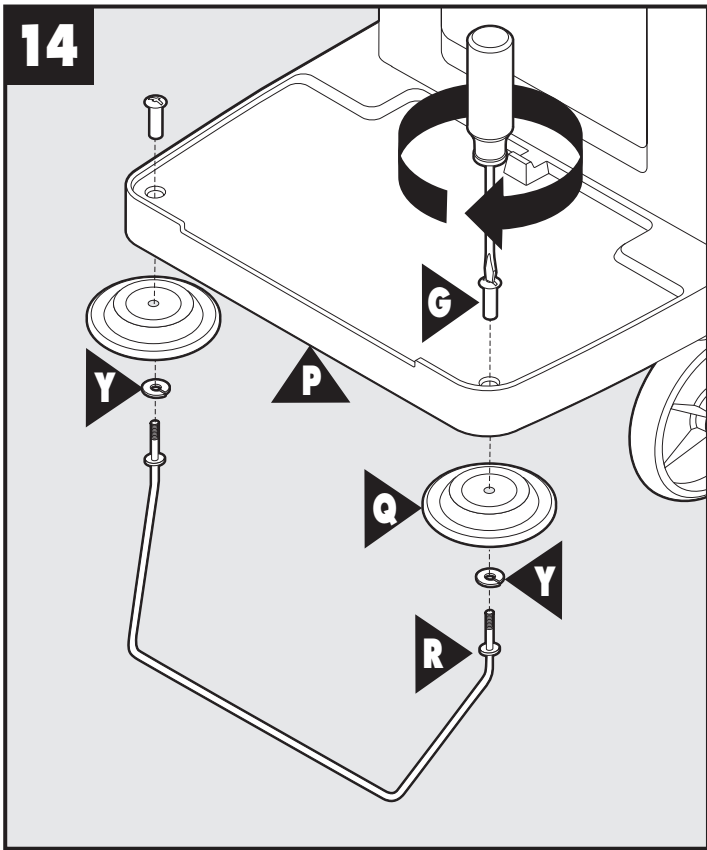
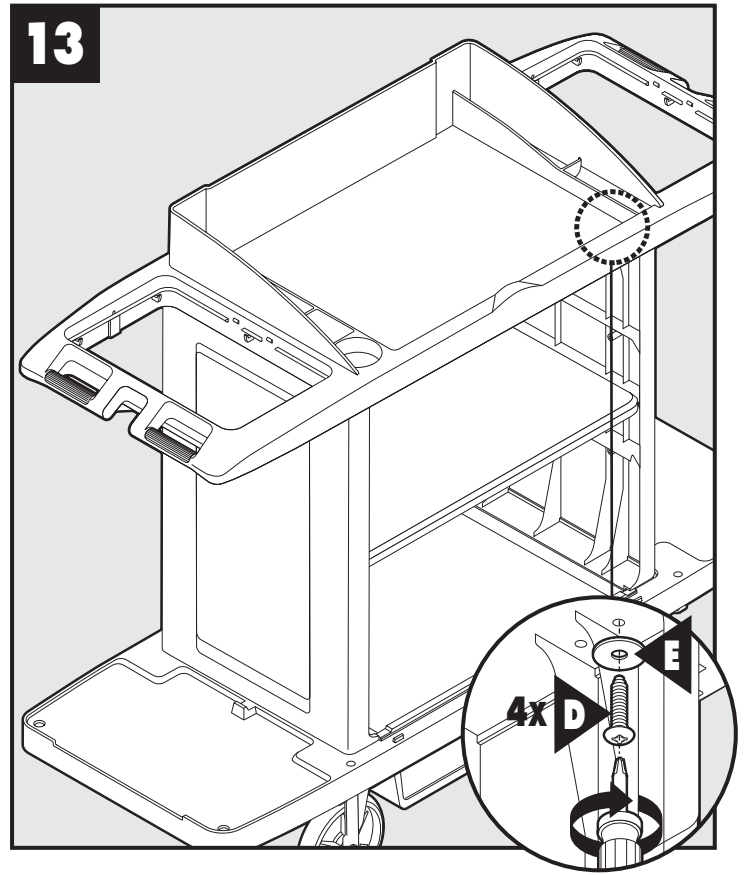
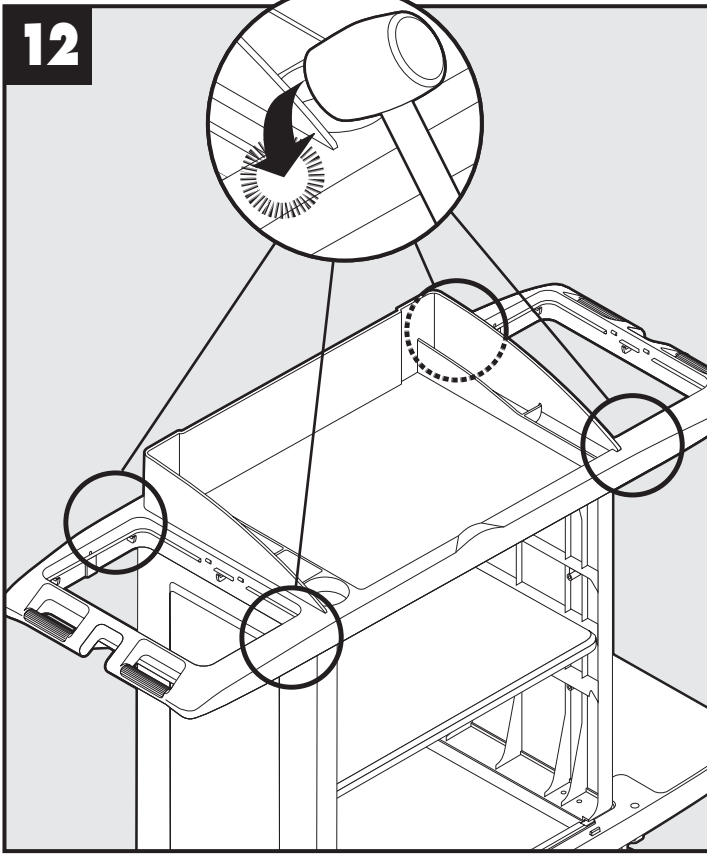
Commercial Products

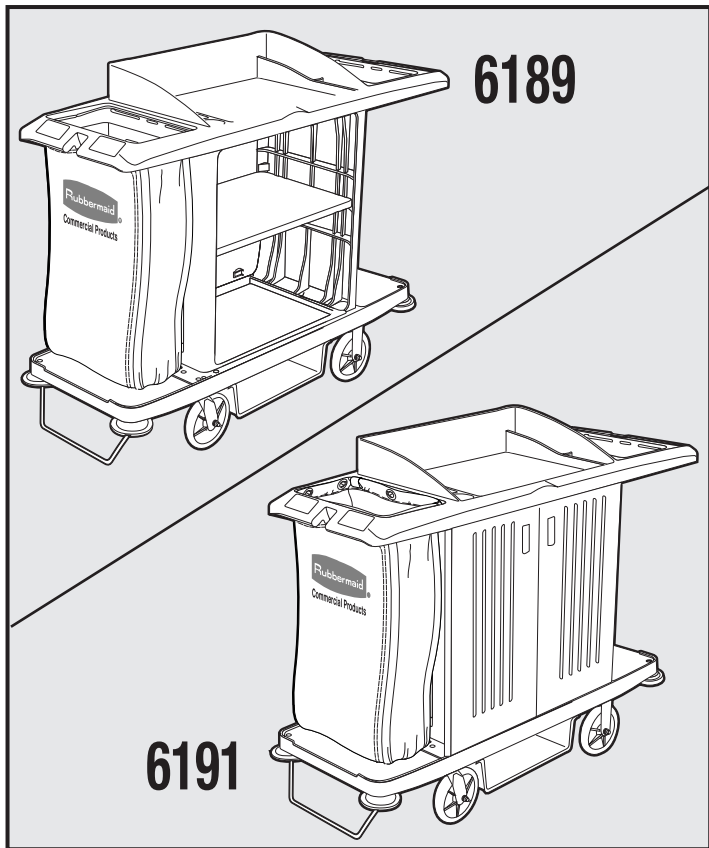
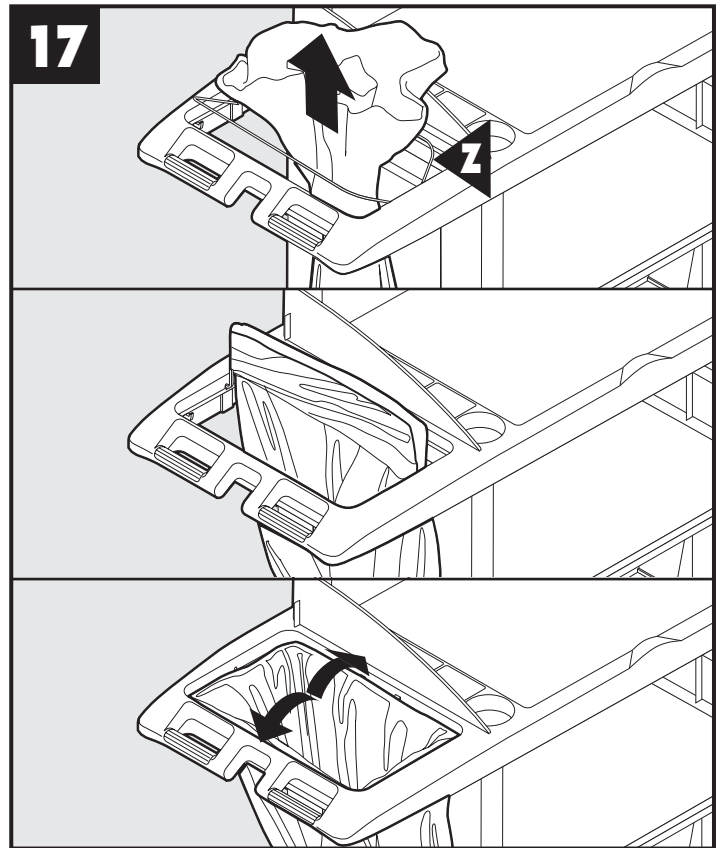
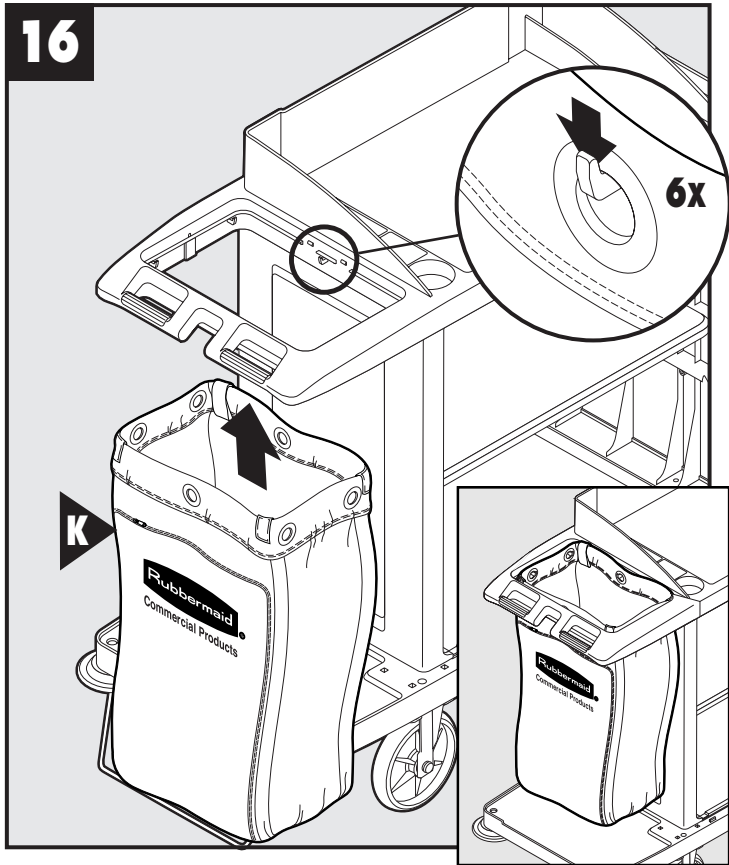












Products manufactured under quality management
system registered to ISO 9002
©2001 Rubbermaid Commercial Products LLC
Printed in U.S.A. 6/01
Product #6189/6191
Instruction #70-6189-00



Rubbermaid Commercial Products LLC
3124 Valley Avenue
Winchester, VA 22601 U.S.A.
Phone: 540-667-8700
Fax: 540-542-8770
www.rubbermaidcommercial.com